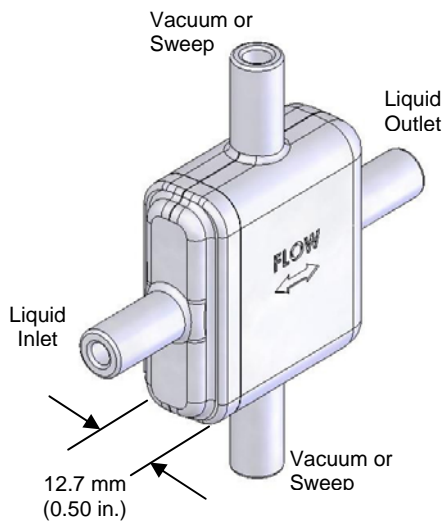
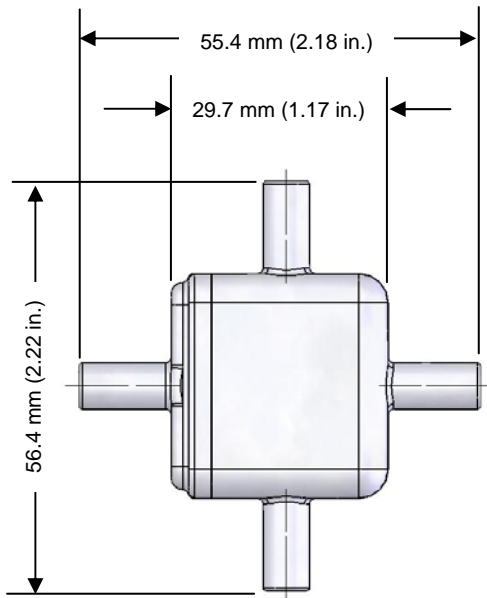


0.5 x 1 MICROMODULE[®] PRODUCT DATA SHEET

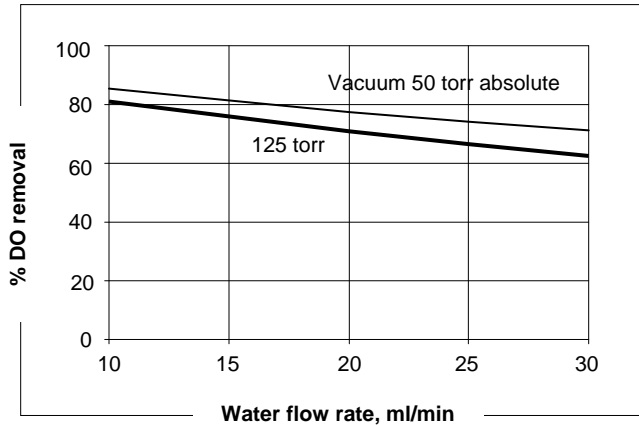


Cartridge Characteristics	
Cartridge Configuration	No Baffle Membrane Array Design
Liquid Flow Guidelines (one cartridge)	5 - 30 ml/min
Membrane/Potting Material	Polypropylene / Epoxy
Typical Membrane Surface Area	100 cm ² (0.11 ft ²)
Maximum Working Temperature/Pressure (Using 50 mm vacuum on lumenside)	25°C, 3.2 kg/cm ² (3.1 bar) (77°F, 45 psig) 40°C, 1.05 kg/cm ² (1.03 bar) (104°F, 15 psig)
Priming Volume (approximate)	
Shellside	2.7 ml
Housing Characteristics	
Material	Polycarbonate
Connections	
Shellside (Liquid Inlet/Outlet)	1/4 inch Straight Tube
Lumenside (vacuum)	1/4 inch Straight Tube
Weight	
Dry	10 grams (0.022 lbs.)

NOTE: All dimensions are nominal values

Patent Pending

MicroModule®



Curves represent nominal values generated using water on the shellside and vacuum on the lumenside at 20°C. Characteristics may change under different operating conditions.

Pressure Drop:

In all flow rates up to 30 ml/min, the pressure drop is < 0.2 psi.

This product is to be used only by persons familiar with its use. It must be maintained within the stated limitations. All sales are subject to Seller's terms and conditions. Purchaser assumes all responsibility for the suitability and fitness for use as well as for the protection of the environment and for health and safety involving this product. Seller reserves the right to modify this document without prior notice. Check with your representative to verify the latest update. To the best of our knowledge the information contained herein is accurate. However, neither Seller nor any of its affiliates assumes any liability whatsoever for the accuracy or completeness of the information contained herein. Final determination of the suitability of any material and whether there is any infringement of patents, trademarks, or copyrights is the sole responsibility of the user. Users of any substance should satisfy themselves by independent investigation that the material can be used safely. We may have described certain hazards, but we cannot guarantee that these are the only hazards that exist.

Liqui-Cel and Celgard are registered trademarks and MicroModule is a trademark of Membrana-Charlotte, A Division of Celgard, LLC, LLC and nothing herein shall be construed as a recommendation or license to use any information that conflicts with any patent, trademark or copyright of Seller or others.

©2008 Membrana – Charlotte A Division of Celgard, LLC

(D96 Rev1 5-07)

Membrana - Charlotte
A Division of Celgard, LLC
13800 South Lakes Drive
Charlotte, North Carolina 28273
USA
Phone: (704) 587 8888
(800) 235 4273
Fax: (704) 587 8585

Membrana GmbH
Oehder Strasse 28
42289 Wuppertal
Germany
Phone: +49 202 6099 - 658
Phone: +49 6126 2260 - 41
Fax: +49 202 6099 - 750

Japan Office
Shinjuku Mitsui Building, 27F
1-1, Nishishinjuku 2-chome
Shinjuku-ku, Tokyo 163-0427
Japan
Phone: 81 3 5324 3361
Fax: 81 3 5324 3369

MEMBRANA
Underlining Performance

www.liqui-cel.com

A **POLYPORE** Company



ISO 9001
ISO 14001