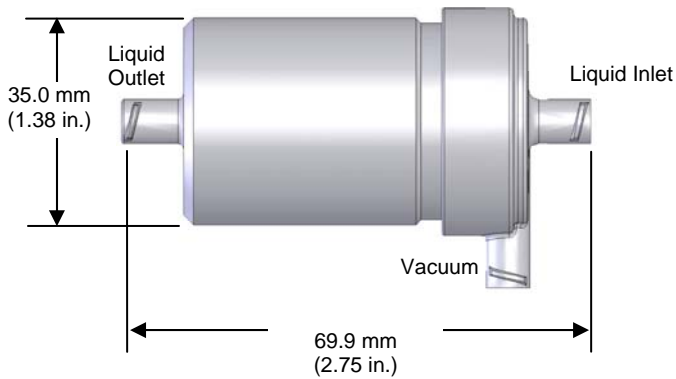
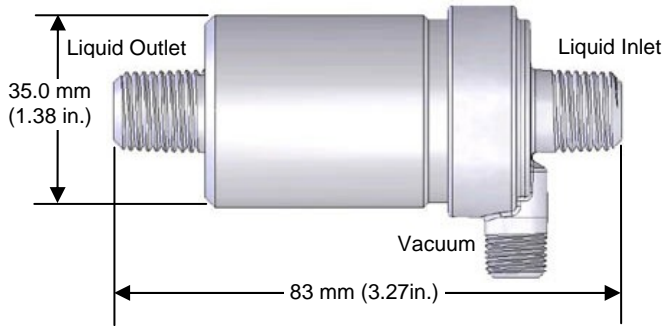


## 1 x 3 RADIAL FLOW SUPERPHOBIC<sup>®</sup> PRODUCT DATA SHEET

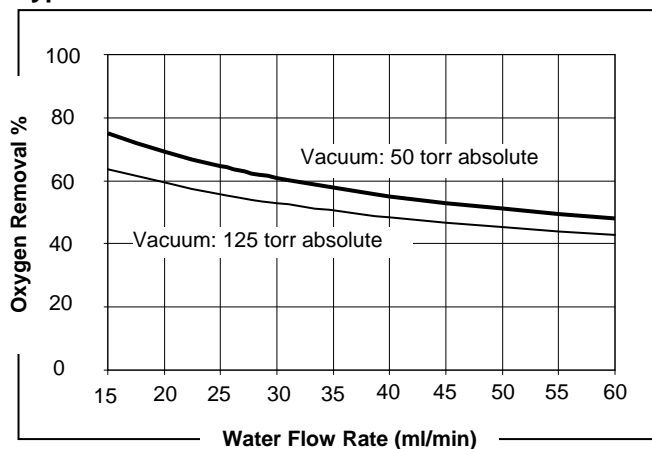


NOTE: All dimensions are nominal values

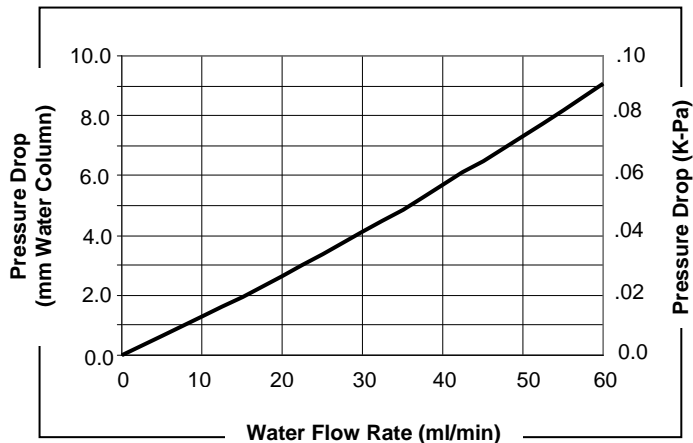
Cartridge Characteristics	
<b>Cartridge Configuration</b>	No Baffle Radial Flow
<b>Liquid Flow Guidelines</b> (one cartridge)	15 - 60 ml/min (0.004-0.016 gpm) Liquid must flow on the shellside
<b>Membrane/Potting Material</b>	Polyolefin / Polyethylene
<b>Typical Membrane Surface Area</b>	370 cm <sup>2</sup> (0.40 ft <sup>2</sup> )
<b>Maximum Working Temperature/Pressure</b>  (Using 50 mm vacuum on lumenside)	25°C, 3.1 kg/cm <sup>2</sup> (3.1 bar) (77°F, 45 psig)  40°C, 15 psig
<b>Priming Volume (approximate)</b>	
Shellside	13 ml
Housing Characteristics	
<b>Material</b>	Black Polyethylene
<b>Connections</b>	
Shellside (Liquid Inlet/Outlet)	<ul style="list-style-type: none"> <li>• 1/4 inch NPT Male</li> <li>• Standard Female Luer Lock</li> </ul>
Lumenside (vacuum)	<ul style="list-style-type: none"> <li>• 1/8 inch NPT Male</li> <li>• Standard Female Luer Lock</li> </ul>
<b>Weight</b>	
Dry	25 grams (0.06 lbs)

## 1 x 3 SuperPhobic<sup>®</sup> PRODUCT DATA SHEET

### Typical Performance



Test Conditions: Deionized water at 20°C.



Pressure drop data for 1 x 3 product with Luer Lock connections.

This product is to be used only by persons familiar with its use. It must be maintained within the stated limitations. All sales are subject to Seller's terms and conditions. Purchaser assumes all responsibility for the suitability and fitness for use as well as for the protection of the environment and for health and safety involving this product. Seller reserves the right to modify this document without prior notice. Check with your representative to verify the latest update. To the best of our knowledge the information contained herein is accurate. However, neither Seller nor any of its affiliates assumes any liability whatsoever for the accuracy or completeness of the information contained herein. Final determination of the suitability of any material and whether there is any infringement of patents, trademarks, or copyrights is the sole responsibility of the user. Users of any substance should satisfy themselves by independent investigation that the material can be used safely. We may have described certain hazards, but we cannot guarantee that these are the only hazards that exist.

Liqui-Cel, Celgard, SuperPhobic and MiniModule and MicroModule are registered trademarks and NB is a trademark of Membrana-Charlotte, A division of Celgard, LLC and nothing herein shall be construed as a recommendation or license to use any information that conflicts with any patent, trademark or copyright of Seller or others.

©2008 Membrana – Charlotte A Division of Celgard, LLC (D94\_Rev 5\_04-08 1x3 SP)

**Membrana - Charlotte**  
A Division of Celgard, LLC  
13800 South Lakes Drive  
Charlotte, North Carolina 28273  
USA  
Phone: (704) 587 8888  
(800) 235 4273  
Fax: (704) 587 8585

**Membrana GmbH**  
Oehder Strasse 28  
42289 Wuppertal  
Germany  
Phone: +49 202 6099 - 658  
Phone: +49 6126 2260 - 41  
Fax: +49 202 6099 - 750

**Japan Office**  
Shinjuku Mitsui Building, 27F  
1-1, Nishishinjuku 2-chome  
Shinjuku-ku, Tokyo 163-0427  
Japan  
Phone: 81 3 5324 3361  
Fax: 81 3 5324 3369

**MEMBRANA**  
MEMBRANA  
Underlining Performance

[www.liqui-cel.com](http://www.liqui-cel.com)

A **POLYPOR** Company

